



USER MANUAL – EN

IN 25728 Rifle scope inSPORTline Scopel 4x32

CONTENTS

SAFETY INSTRUCTIONS..... 3
USE 3
SPECIFICATIONS..... 5
ENVIRONMENT PROTECTION 5
TERMS AND CONDITIONS OF WARRANTY, WARRANTY CLAIMS..... 5

SevenSport s.r.o. reserves the right to make any changes and improvements to its product without prior notice. Visit our website www.insportline.eu where you will find the latest version of the manual.

SAFETY INSTRUCTIONS

- Please read the manual before use and keep it for future reference.
- Before attaching the scope, make sure the gun is unloaded.
- Any shooting of a weapon may only be done in a safe place.
- Do not disassemble or repair the scope.
- Do not use a damaged or worn product.
- Protect from impacts and falls.

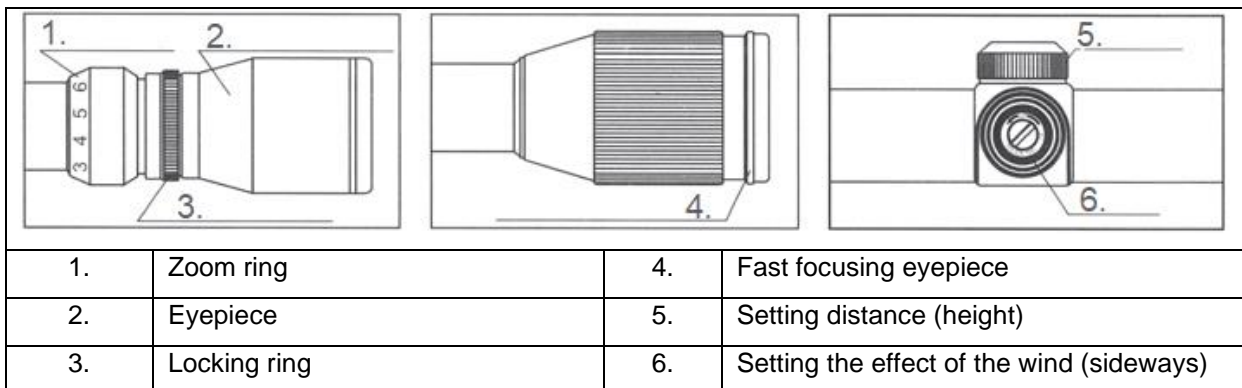
USE

Focus

Hold the scope 7.5-10 cm from your eye and look quickly through the eyepiece at a uniformly lit surface such as a wall or sky.

Warning: Do not look directly into the sun!

If you cannot see the reticle clearly, loosen the eyepiece locking ring and turn the eyepiece a few turns in one direction. Look through the eyepiece again to see if the focus has improved. If the focus is better, continue turning the eyepiece in that direction. If the focus has deteriorated, it is necessary to rotate in the opposite direction. Once you have achieved perfect focus, tighten the eyepiece locking ring.



Attachment:

Warning: Make sure the gun is unloaded. Always handle your firearm in a safe manner.

Remove the upper half of the retaining rings from the lower halves. Refit the top halves of the rings, but do not tighten them. Move the scope forward and rotate it so that the range (elevation) adjustment ring is facing up. Secure the rifle or place it on a stand and move the scope towards you until you can see the field of view. Check the height of the reticle. Align the vertical and horizontal arms of the cross with the axes of the barrel bore. Once the scope is properly positioned and the reticle is aligned with the barrel axes, tighten the top halves of the retaining rings.

Caution: Do not overtighten the fixing screws, you may damage the scope tube and affect its accuracy or destroy it. The fastening screws must be tightened equally on both sides, the gap between the tube and the rings must be the same.

Pre-Zeroing:

Warning: Make sure the gun is unloaded. Always handle the weapon in a safe manner.

To aim the barrel, remove the bolt from the bolt housing, in the case of another type of weapon, open it. If you have a model scope with parallax correction (see "Adjusting Parallax"), rotate the parallax ring to 50 yards (45.7 m). Set the zoom to a medium value. Secure the rifle on a solid support, remove the

caps for distance (elevation) and windage (side) correction. Look through the barrel bore (for weapons where the bolt cannot be removed, use a miniature mirror placed through the ejection port into the chamber at an angle so you can see through the barrel bore) through the bolt housing at a target at 50 yards (45.7 m). Use the stock to adjust the weapon so that the target is exactly centered in the sight of the barrel bore. Without changing the position of the weapon, use the adjustment parts for the frame and height correction to center the reticle on the center of the target. You raise the place of hit by turning the height regulator clockwise. Then change the deflection by turning the side regulator clockwise.

Note: If you have a side adjustable scope mounting ring on your mount, then you can use it to compensate for a larger side misalignment. You can make the final precise adjustment with the adjustment element of the side deviation of the rifle scope.

Zeroing:

Warning: Shooting is only possible at approved shooting ranges or other safe areas. We recommend using eye and hearing protection.

Warning: If you have used a barrel sight collimator or other similar device that creates an obstruction in the barrel, be sure to remove it from the bore before firing. If the barrel has been drilled to secure the scope mount, check that the set screws do not engage the bore of the barrel. Avoid firing live or blank rounds if there is an obstruction in the barrel. This can cause serious damage to the weapon, injury to you and people around you.

Set the zoom scope to maximum, and the parallax model to 100 yards (91.4 m). Fire 3 shots at the target from a fixed range. Check the hits on the target and, if necessary, make corrections using the side and height adjustment rings.

Note: Each click of the adjuster changes the hit point by the distance shown in the table.

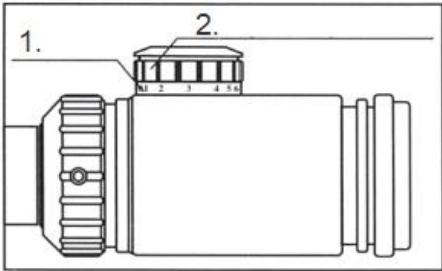
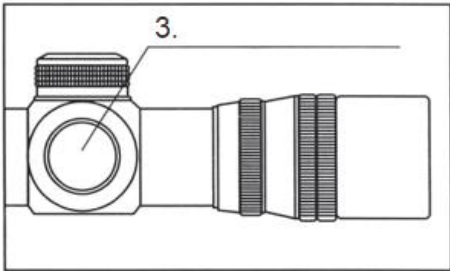
Each click of the height and side adjuster in inches			
50 yards (45,7 m)	100 yards (91,4 m)	200 yards (182,8 m)	300 yards (274,2 m)
1/8" (0,32 cm)	1/4" (0,63 cm)	1/2" (1,27 cm)	3/4" (1,89 cm)

After zeroing the weapon, reattach the protective caps to the height and side adjustment rings.

Note: Altitude, temperature, wind, rain and other factors affect the trajectory of the bullet. You can notice slight deviations in individual shots with a precisely adjusted weapon.

Riflescope aiming with electronic reticle.

If your riflescope is equipped with an electronic reticle, then it does not lack a scale for regulating the intensity of illumination. The regulating rheostat is located on top of the eyepiece. The batteries supplied with the scope are lithium button type. If you are going to change the batteries, remember to store them in the box with the polarity "+" mark facing up.

 	
1.	Dimmer
2.	Battery location
3.	Battery location

Maintenance: Never disassemble the scope for maintenance and cleaning.

Clean the unprotected part of the scope and the lens with a microfiber cloth. If you are not using a scope, keep the lens caps on.

Clean the metal parts with a soft brush to avoid scratching the paint. Then wipe the metal parts with a soft damp cloth and dry with a dry cloth. Then apply a protective silicone or anti-corrosion layer to the metal parts using a soft cloth. Be careful not to apply silicone or anti-corrosion coating to the lenses.

SPECIFICATIONS

Model	Zoom	Objective diameter (mm)	Field view (°)	Exit pupil (mm)	Exe relief (mm)	Adjustment per click	Length
M0432	4	32	5,5	8	95	1/4	237 mm

ENVIRONMENT PROTECTION

After the product lifespan expired or if the possible repairing is uneconomic, dispose it according to the local laws and environmentally friendly in the nearest scrapyard.

By proper disposal you will protect the environment and natural sources. Moreover, you can help protect human health. If you are not sure in correct disposing, ask local authorities to avoid law violation or sanctions.

Don't put the batteries among house waste but hand them in to the recycling place.

TERMS AND CONDITIONS OF WARRANTY, WARRANTY CLAIMS

General Conditions of Warranty and Definition of Terms

All Warranty Conditions stated here under determine Warranty Coverage and Warranty Claim Procedure. Conditions of Warranty and Warranty Claims are governed by Act No. 89/2012 Coll. Civil Code, and Act No. 634/1992 Coll., Consumer Protection, as amended, also in cases that are not specified by these Warranty rules.

The seller is SEVEN SPORT s.r.o. with its registered office in Strakonická street 1151/2c, Prague 150 00, Company Registration Number: 26847264, registered in the Trade Register at Regional Court in Prague, Section C, Insert No. 116888.

According to valid legal regulations it depends whether the Buyer is the End Customer or not.

“The Buyer who is the End Customer” or simply the “End Customer” is the legal entity that does not conclude and execute the Contract in order to run or promote his own trade or business activities.

“The Buyer who is not the End Customer” is a Businessman that buys Goods or uses services for the purpose of using the Goods or services for his own business activities. The Buyer conforms to the General Purchase Agreement and business conditions.

These Conditions of Warranty and Warranty Claims are an integral part of every Purchase Agreement made between the Seller and the Buyer. All Warranty Conditions are valid and binding, unless otherwise specified in the Purchase Agreement, in the Amendment to this Contract or in another written agreement.

Warranty Conditions

Warranty Period

The Seller provides the Buyer a 24 months Warranty for Goods Quality, unless otherwise specified in the Certificate of Warranty, Invoice, Bill of Delivery or other documents related to the Goods. The legal warranty period provided to the Consumer is not affected.

By the Warranty for Goods Quality, the Seller guarantees that the delivered Goods shall be, for a certain period of time, suitable for regular or contracted use, and that the Goods shall maintain its regular or contracted features.

Batteries

6-month battery warranty – we guarantee that battery's nominal capacity does not fall below 70% of its total capacity within 6 months of the product's sale.

The Warranty does not cover defects resulting from (if applicable):

- User's fault, i.e. product damage caused by unqualified repair work, improper assembly, insufficient insertion of seat post into frame, insufficient tightening of pedals and cranks
- Improper maintenance
- Mechanical damages
- Regular use (e.g. wearing out of rubber and plastic parts, moving mechanisms, joints, wear of brake pads/blocks, chain, tires, cassette/multi wheel etc.)
- Unavoidable event, natural disaster
- Adjustments made by unqualified person
- Improper maintenance, improper placement, damages caused by low or high temperature, water, inappropriate pressure, shocks, intentional changes in design or construction etc.

Warranty Claim Procedure

The Buyer is obliged to check the Goods delivered by the Seller immediately after taking the responsibility for the Goods and its damages, i.e. immediately after its delivery. The Buyer must check the Goods so that he discovers all the defects that can be discovered by such check.

When making a Warranty Claim the Buyer is obliged, on request of the Seller, to prove the purchase and validity of the claim by the Invoice or Bill of Delivery that includes the product's serial number, or eventually by the documents without the serial number. If the Buyer does not prove the validity of the Warranty Claim by these documents, the Seller has the right to reject the Warranty Claim.

If the Buyer gives notice of a defect that is not covered by the Warranty (e.g. in the case that the Warranty Conditions were not fulfilled or in the case of reporting the defect by mistake etc.), the Seller is eligible to require a compensation for all the costs arising from the repair. The cost shall be calculated according to the valid price list of services and transport costs.

If the Seller finds out (by testing) that the product is not damaged, the Warranty Claim is not accepted. The Seller reserves the right to claim a compensation for costs arising from the false Warranty Claim.

In case the Buyer makes a claim about the Goods that is legally covered by the Warranty provided by the Seller, the Seller shall fix the reported defects by means of repair or by the exchange of the damaged part or product for a new one. Based on the agreement of the Buyer, the Seller has the right to exchange the defected Goods for a fully compatible Goods of the same or better technical characteristics. The Seller is entitled to choose the form of the Warranty Claim Procedures described in this paragraph.

The Seller shall settle the Warranty Claim within 30 days after the delivery of the defective Goods, unless a longer period has been agreed upon. The day when the repaired or exchanged Goods is handed over to the Buyer is considered to be the day of the Warranty Claim settlement. When the Seller is not able to settle the Warranty Claim within the agreed period due to the specific nature of the Goods defect, he and the Buyer shall make an agreement about an alternative solution. In case such agreement is not made, the Seller is obliged to provide the Buyer with a financial compensation in the form of a refund.

**CZ
SEVEN SPORT s.r.o.**

Registered Office: Strakonická 1151/2c, Praha 5, 150 00, ČR
Headquarters: Dělnická 957, Vítkov, 749 01
Warranty & Service: Čermenská 486, Vítkov 749 01

CRN: 26847264
VAT ID: CZ26847264

Phone: +420 556 300 970
E-mail: eshop@insportline.cz

reklamace@insportline.cz
servis@insportline.cz

Web: www.inSPORTline.cz

SK
inSPORTline s.r.o.

Headquaters, warranty & service center: Električná 6471, Trenčín 911 01, SK

CRN: 36311723

VAT ID: SK2020177082

Phone: +421(0)326 526 701

E-mail: objednavky@insportline.sk
reklamacie@insportline.sk
servis@insportline.sk

Web: www.inSPORTline.sk